

Saeco VIENNA DIGITAL
SUP 018 D



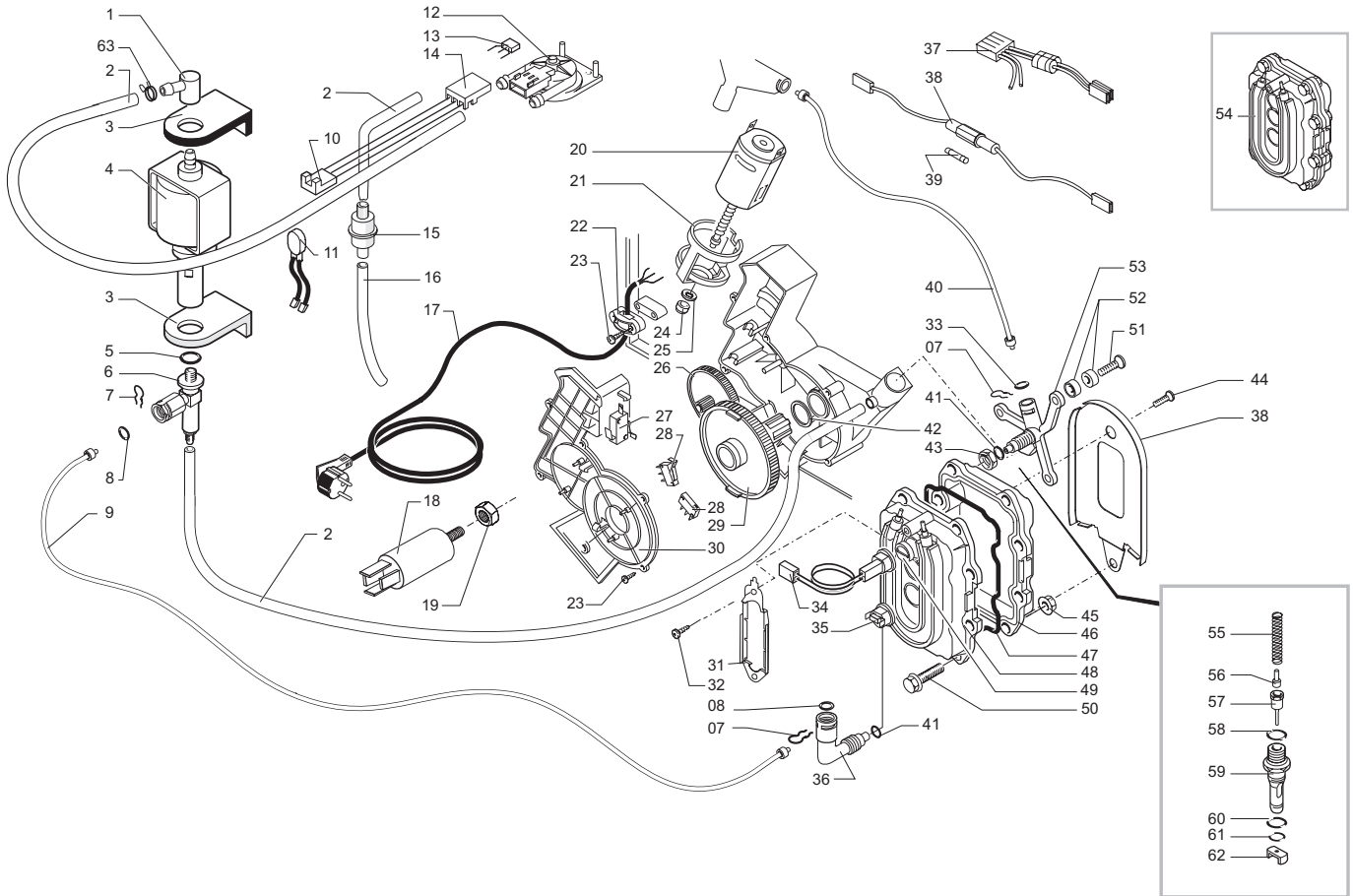
Cod. 741440-60

POS	CODE	DESCRIPTION	NOTE	POS	CODE	DESCRIPTION	NOTE
01	0311.002.820	COVER M5000 PAINTED MISTRAL GREY		35	146001850	COFFEE DOSE ADJ.GEAR BLACK M5000	
	0311.002.580	COVER M5000 PAINTED SILVER		36	146000850	GEAR COFF. GRIND. ADJUSTMENT COMBI	
02	0701.031.150	SEAL COVER GREY		37	9161.270	SEAL FOR COFFEE CONTAINER	
03	145842900	WATER CONTAIN.VALVE SEAL GACO DIM14		38	0311.010.380	GRATE M5000 METALIZED BLACK	
04	129535721	SCREW TSP3,5X9,5 DIN 7982 SS		39	0311.005.820	MISTRAL GREY DRIP TRAY M5000	
05	0311.008.820	MISTRAL/GREY WATER CONTAINER LID M5000			0311.005.580	SILVER DRIP TRAY M5000	
	0311.008.580	SILVER WATER CONTAINER LID M5000		40	U140.009	PANELVIT TCB 3,0X16 DIN 7505 B GAL	
06	0701.014.150	SEAL CONTAINER GREY		41	127390100	BRUSH FOR CLEANING	
07	0312.022	SEAL FOR VALVE CONTAINER		42	129660202	PANELVIT TCB SCREW 3X12 DIN 7505 Z	
08	U143.007	SCREW TORX TCB 2,9X19 SS BUR		43	140328461	EPDM OR METRIC 0190-10	
09	222694180	WATER CONTAINER AS.M5000 DIG.T/GREY		44	129660302	PANELVIT TCB SCREW 3X10 DIN 7505 Z	
10	140324362	OR METRIC 0060-30 IN SILICONE		45	0301.811	CONNECTOR ASS. 2 POLE LEVEL	
11	126764718	SPRING FOR WATER CONTAINER VALVE		46	181558258	POWER TERM.BOARD M5000 DIGITAL 230V	WITH ALUM. BOILER
12	147660562	GREY WATER VALVE CONTAINER PISTON			181555158	POWER ELEC.BOARD M5000 DIGITAL 230V	WITH ALUM. BOILER
13	222480841	CASING ASS.M5000-DIG.+ FEET SILVER	WITH PART.N°15-17-19	47	149193350	BLACK ELET.CARD POWER SUPPORT M5000 DIG	
	222480858	CASING AS.M5000-DIG.+FEET MIST/GREY	WITH PART.N°15-17-19	48	281562000	TOUCH PANEL EL.BOARD M5000-VIEN.DIG	WITH AL.BO.WITH RES.
14	0311.004.820	MISTRAL/GREY GROUNDS CONTAINER M5000			281564300	TOUCH PANEL EL.BOARD M5000-VIEN.DIG	WITH AL.BO.WITH RES.
	0311.004.580	SILVER GROUNDS CONTAINER M5000		49	224883058	FR.PANEL AS.MIS/GREY M5000-VIEN.DIG	
15	9991.105	MAGNET D.9MM			224883041	FRON.PANEL AS.SILVER M5000-VIEN.DIG	
16	0311.020	BRACKET FOR DOOR CLOSURE		50	13000030	UPPER INSERT POLYSTIR.BOX M5000	
17	147622850	BLACK FOOT		51	13000031	LOWER INSERT POLYSTIR.BOX M5000	
18	228993158	DOOR M5000 M/GREY S/SCRE.VIENNA DIG		52	178505000	DISPLAY BOX SAECO M5000 VIENNA	
	228993141	DOOR M5000 SILVER S/SCRE.VIENNA DIG		53	165937600	INSTRUC.MANUAL NEUTRAL TYP SUP 018D	
19	145894700	ROTATING RING RETAINING INSERT		54	0301.961	WATER HARDNESS TEST	
20	129670202	PANE. TCB SCREW 3,5X16 TESTA D=8 Z		55	142844380	NAT/TRANSP.CAP FOR FLOATING SPACE M5000	
21	NE03.028	MOLVENO SWITCH B1031C1181000		56	129533202	SCREW TSPTORX T10 3,5X9,5 D7982 NI	
22	9161.112.150	LEVEL FLOAT GREY		57	224640200	EXTERNAL FILTER FOR WATER CONTAINER ASSY	WITH PART. N°43
23	129517103	SCREW TCB3,5X38,1 DIN 7981 GALV					
24	142713680	BEAN COFFEE CONTAINER GREY					
25	282000800	CONNECT.AS.12P.12KRKR-6SL100IE W/SHEATH					
26	0311.022.380	METAL/BLACK FIXED DISPENSING CHANNEL					
27	0311.011.380	METAL/BLACK MOBILE DISPENSING CHANNEL					
28	0311.012.820	DISPENSER SUPPORT MISTRAL GREY					
	0311.012.580	DISPENSING SUPPORT SILVER					
29	220380159	ROTATING RING ASS.GREY/BLACK FEET	WITH PART. N°30				
30	147622150	BLACK FOOT FOR REVOLVING RING					
31	0311.009.820	MISTRAL/GREY COFFEE CONTAINER LID M5000					
	0311.009.580	SILVER COFFEE CONTAINER LID M5000					
32	9141.051.490	GRINDING ADJUSTMENT KNOB					
33	147715659	COFFEE DOSE ADJUST. KNOB M5000					
34	U109.029	SCREW AUT.TCB 3,5X32 DIN 7981 C					

Saeco VIENNA DIGITAL
SUP 018 D

Rev. 07 - 21/12/06

TAVOLA 1/4



Saeco VIENNA DIGITAL
SUP 018 D

ALUMINUM BOILER
UP TO S/N. 9004SA40023491



Cod. 741440-60

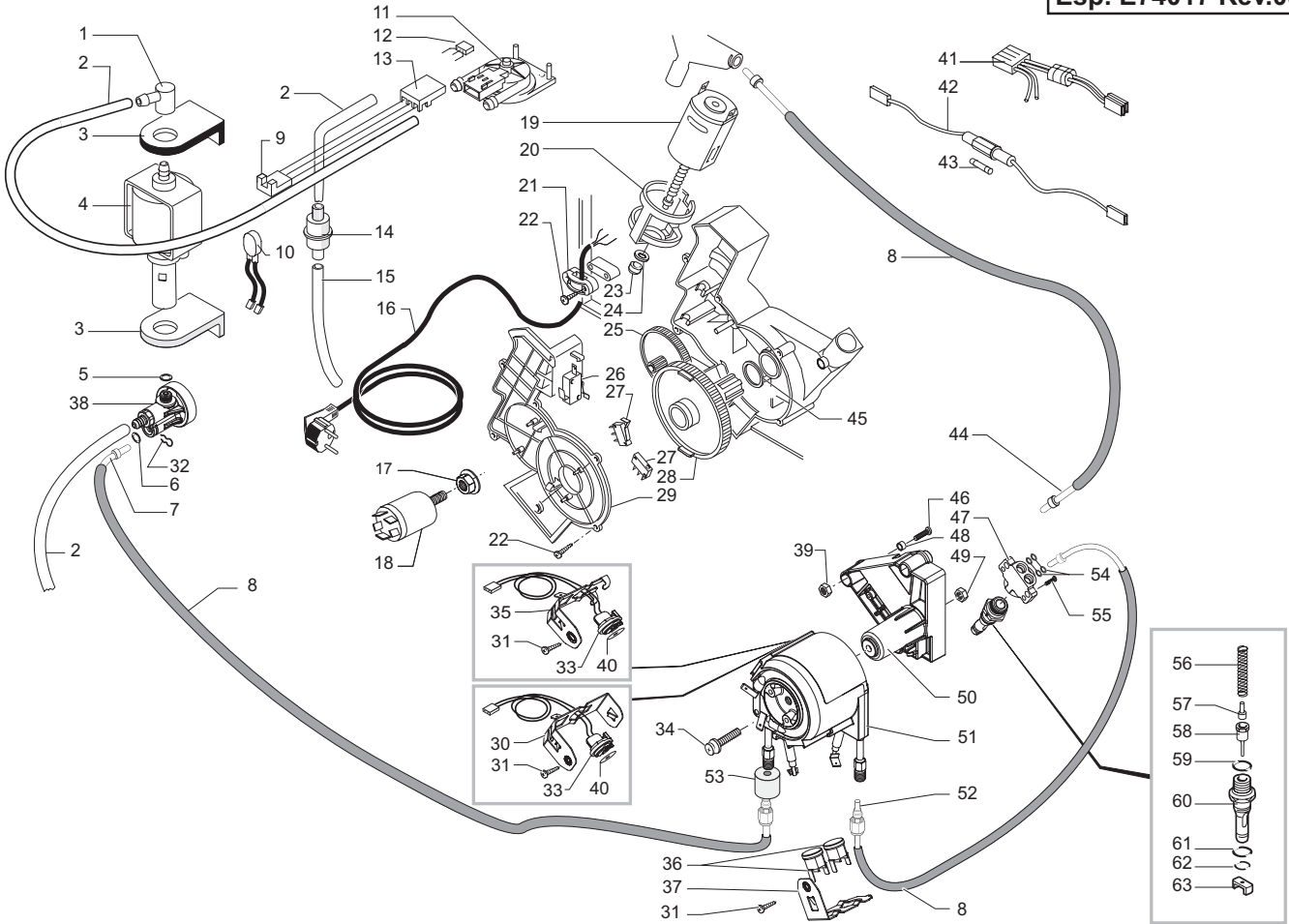
POS	CODE	DESCRIPTION	NOTE	POS	CODE	DESCRIPTION	NOTE
01	147920150	90°CONNECTOR PUMP INLET		39	327002200	FUSE T6,3 AMP.5X20 RETARDED	230V
02	149360200	SILICONE TUBE 5X8 70SR IN ROLL			184950200	FUSE T15 AMP.DELAYED	
03	149185850	EATON PUMP SUPPORT MAGIC 4002012		40	227872800	TEFLON TUBE 2X4 L=320 MM ASSY	
04	12000140	ULKA PUMP EP5/S GW	230V-50HZ	41	140321462	OR 2018 IN SILICONE	
05	140321961	OR 2031 IN TERMOIL		42	9161.132	MYLAR WASHER FOR RATIOMOTOR	
06	229451300	PUMP SAFETY VALVE D=8 ULKA PUMP		43	123390420	NUT 1/8 GAS H=4.5 CH=13 BRASS	
07	9011.144	FORK FOR TUBE D.4		44	129740103	SCREW TSPC PH/SHW 5X10 UNI 8113 NICK	
08	140328059	OR 2015 IN SILICONE PTFE/FDA		45	123270102	NUT M6 FLANGED TOOTHED BASE GALV	
09	227872100	TEFLON TUBE 2X4 L=235 MM ASSY		46		PARTICULAR NOT AVAILABLE	SEE PART. N°54
10	283542200	3 POLES CONNECTORS TURB.M5000 ASSY.		47	9011.129	BOILER SEAL	
11	0311.807	YELLOW HARNESS KLIXON JP 13	230V	48		PARTICULAR NOT AVAILABLE	SEE PART. N°54
12	286473300	-M-VDE TURBINE WITH SENSOR KIT	WITH PART. N°13	49	11004424	ALUM.SPACER FOR PHILIPS SENSOR MAGIC	
13		PARTICULAR NOT AVAILABLE	SEE PART. N°12	50	U046.004	SCREW TEFZ M6,0X26 GALV.	
14	9161.018	BRACKET FOR TURBINE		51	U044.017	SCREW TSPC M5,0X20 UNI 7688 GALV.	
15	144650300	SUCTION FILTER GAUZE NET 500 (NEW		52	9161.206	INSULATING SPACER FOR BOILER	
16	JS01.022	SILICONE TUBE 5X10 60 SHORE IN ROLL		53	9011.126	ALU.BOILER SUPPORT BRASS	
17	183910450	POWER CABLE SCHUKO BLACK L=1500		54	282058158	AN/ALU.BOIL.AS.230V M5000 V2.1/F SP	WITH PART. N°46-48
	183930250	POW.CABLE CH BLACK H05+3FAST.L=1500		55	9011.132	SPRING FOR PIN	
	NE01.026	POWER CABLE SJT3C USA GREY 3F.L1500		56	227480203	BRASS/NIK.PIN FOR PISTON L=10	
18	184651100	ANTIDISTURB FILTER 0,47X2+1000Y2+0,5L		57	227660103	BRASS PISTON L=20,9 ASSY.	
19	123453602	FLANGE NUT M8 TOOTHED BASE GALV.		58	140320462	OR METRICO 0080-20 IN SILICONE	
20	286891358	GEN.MOTOR FOR RATIOMOTOR M/S 5000 ASSY.	WITH PART. N°21-37	59	9011.100	PEG FOR VALVE IN PLASTIC	
21	9121.044	ANTIVIBRATION FOR MOTOR		60	NM01.035	OR ORM 0090-20 SILICONE	
22	148600600	CABLE CLAMP V0 MAGIC ESP COMBI UL		61	NM01.057	OR ORM 0050-20 SILICONE	
23	129670202	PANE. TCB SCREW 3,5X16 TESTA D=8 Z		62	9011.099	M CURSOR FOR BOILER VALVE IN PLASTIC	
24	9121.046	SINTERED BUSH FOR MOTOR		63	183420200	HARNESS + THERMAL FUSE 141 DEG	
25	148380200	WASHER BAKELIZZATE D=5,5			289433200	GEN TURB. AS.UNIFIED FOR M5000	
26	9121.042	GEAR Z.12/90					
27	NE05.042	MICROSWITCH					
28	NE05.038	MICROSWITCH					
29	9121.068.150	GEAR Z=108 FOR MOUNTING PLATE M5000					
30	9161.200.920	TRANSPARENT LID FOR RATIOMOTOR M5000					
31	126836517	STEEL SPRING RETAIN.3 THE.BOIL. M5					
32	129575403	SCREW TAPT M5X10 DIN 7500C NICK					
33	129024602	GUARD BRACKET HEAT ELEM.BOILER M500					
34	288581958	SENSOR WITH/OUT RESIS.M5000 ASSY.	230V				
35	189428200	THERMOSTAT 175° 1NT-08L-3794					
36	127914020	*BRASS 90 DEG FIT.1/8" GAS MASTER					
37		PARTICULAR NOT AVAILABLE	SEE PART. N°20				
38	183003662	1 STR+ SIL. CABLE BLUE 510 MM					

Saeco VIENNA DIGITAL
SUP 018 D

ALUMINUM BOILER
UP TO S/N. 9004SA40023491

Rev. 06 - 21/12/06

TAVOLA 2/4



**VIENNA DIGITAL
SUP 018 D**

**ALUMINUM BOILER WITH RESIST.
FROM S/N. 9004SA40023492**



Cod. 741440-60

POS	CODE	DESCRIPTION	NOTE	POS	CODE	DESCRIPTION	NOTE
01	147920150	90°CONNECTOR PUMP INLET		37	126838117	2 THERMOSTATS FIXING SPRING	
02	149360200	SILICONE TUBE 5X8 70SR IN ROLL		38	229452100	COMPENSATION AND SAFETY VALVE 16BAR ASSY	
03	149185850	EATON PUMP SUPPORT MAGIC 4002012		39	U310.003	NUT SELF LOCK.M5 UNI 7473	
04	12000140	ULKA PUMP EP5/S GW	230V-50HZ	40	145951600	ELECTRIC INSULATING DISK D=16	
05	140321961	OR 2031 IN TERMOIL		41		PARTICULAR NOT AVAILABLE	SEE PART. N°19
06	NM02.028	OR 2015 EPDM FDA		42	183003662	1 STR+ SIL. CABLE BLUE 510 MM	230V
07	227874900	CONNECTOR AS.TEFLON 2X4 L=250 MM		43	327002200	FUSE T6,3 AMP.5X20 RETARDED	230V
08	149361200	BLACK SILICON TUBE 7,5X9,3 IN ROLL		44	9979.B20	TEFLON ASS. TUBE 4X2 L.350	
09	283542200	3 POLES CONNECTORS TURB.M5000 ASSY.		45	9161.132	MYLAR WASHER FOR RATIOMOTOR	
10	0311.807	YELLOW HARNESS KLIXON JP 13	230V	46	U044.020	SCREW TSP M5,0X30 UNI 7688 GALV.	
11	286473300	-M-VDE TURBINE WITH SENSOR KIT	WITH PART. N°12			UP TO S/N. 9005SA90278596	
12		PARTICULAR NOT AVAILABLE	SEE PART. N°11		129932502	GALVANIZDE SELF DRILLING SCREW 5X30	
13	9161.018	BRACKET FOR TURBINE				FROM S/N. 9005SA90278597	
14	144650300	SUCTION FILTER GAUZE NET 500 (NEW)		47	147922700	BOILER SUPPORT CONNECTOR	
15	JS01.022	SILICONE TUBE 5X10 60 SHORE IN ROLL		48	9161.206	INSULATING SPACER FOR BOILER	
16	183910450	POWER CABLE SCHUKO BLACK L=1500		49	123453902	SELF-LOCKI.NUT M5X0,8 DIN 980 CLA.8	
	183930250	POW.CABLE CH BLACK H05+3FAST.L=1500		50	20000203	SPARES KIT SUPPORT BOILER M5000	
	183922050	POWER CABLE SJT3C USA BLAC.5F.L1590				UP TO S/N. 9005SA90278596	
	183980550	POWER CABLE JAPPON VCTF BLACK L=1590 MM			149197900	SUPPORT FOR ALUMINIUM BOILER	
17	123453602	FLANGE NUT M8 TOOTHED BASE GALV.				FROM S/N. 9005SA90278597	
18	184651100	ANTIDISTURB FILTER 0,47X2+1000Y2+0,5L	230V	51	282058858	ALUM.BOILER WITH RESISTANCE 1100W 230V	
19	11003032	GENERAL MOTOR FOR RATIOMOTOR M5000 ASSY.	WITH PART. N°20-41	52	227876800	CONNECTOR TEFLON 2X4 L=235 MM ASSY.	
20	9121.044	ANTIVIBRATION FOR MOTOR		53	147756562	PROTECTION FOR FOLK SPRING TUBE D=4	
21	148600600	CABLE CLAMP V0 MAGIC ESP COMBI UL		54	140328059	OR 2015 IN SILICONE PTFE/FDA	
22	129670202	PANE. TCB SCREW 3,5X16 TESTA D=8 Z		55	129910103	HI-LO TC SCREW 3,5X15 RIF.910189	
23	9121.046	SINTERED BUSH FOR MOTOR		56	9011.132	SPRING FOR PIN	
24	148380200	WASHER BAKELIZZATE D=5,5		57	227480203	BRASS/NIK.PIN FOR PISTON L=10	
25	9121.042	GEAR Z.12/90		58	227660103	BRASS PISTON L=20,9 ASSY.	
26	NE05.042	MICROSWITCH		59	140320459	OR METRICO 0080-20 SILICON.PTFE/FDA	
27	NE05.038	MICROSWITCH		60	9011.100	PEG FOR VALVE IN PLASTIC	
28	9121.068.150	GEAR Z=108 FOR MOUNTING PLATE M5000		61	NM01.035	OR ORM 0090-20 SILICONE	
29	9161.200.920	TRANSPARENT LID FOR RATIOMOTOR M5000		62	NM01.057	OR ORM 0050-20 SILICONE	
30	126838017	SENSOR FIXING SPRING		63	9011.099	M CURSOR FOR BOILER VALVE IN PLASTIC	
		UP TO S/N. 9004SA40075718					
31	129573202	SCREW TCB PH/TT 4X8 UNI 8112 ZNP					
32	9011.144	FORK FOR TUBE D.4					
33	288582300	SENSOR ELECT.BOARD WITH CONNECTOR ASSY.					
34	129932202	ROUND HEAD SCREW 10.9 M5X20 GALV					
35	126838217	SENSOR FIXING SPRING					
		FROM S/N. 9004SA40075719					
36	189428200	THERMOSTAT 175° 1NT-08L-3794					

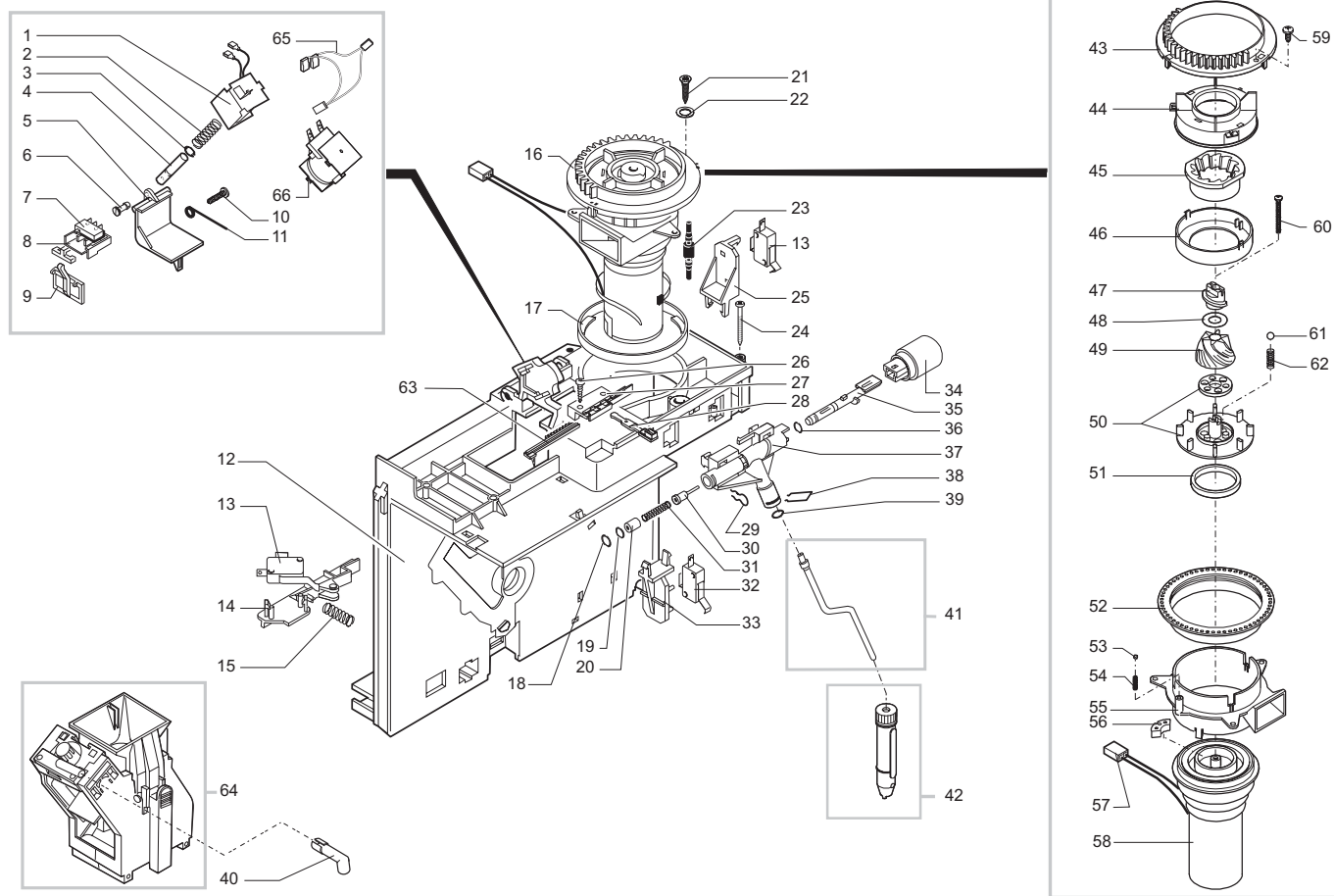


**VIENNA DIGITAL
SUP 018 D**

**ALUMINUM BOILER WITH RESIST.
FROM S/N. 9004SA40023492**

Rev. 02 - 17/01/07

TAVOLA 3/4



Saeco VIENNA DIGITAL
SUP 018 D

CE Cod. 741440-60

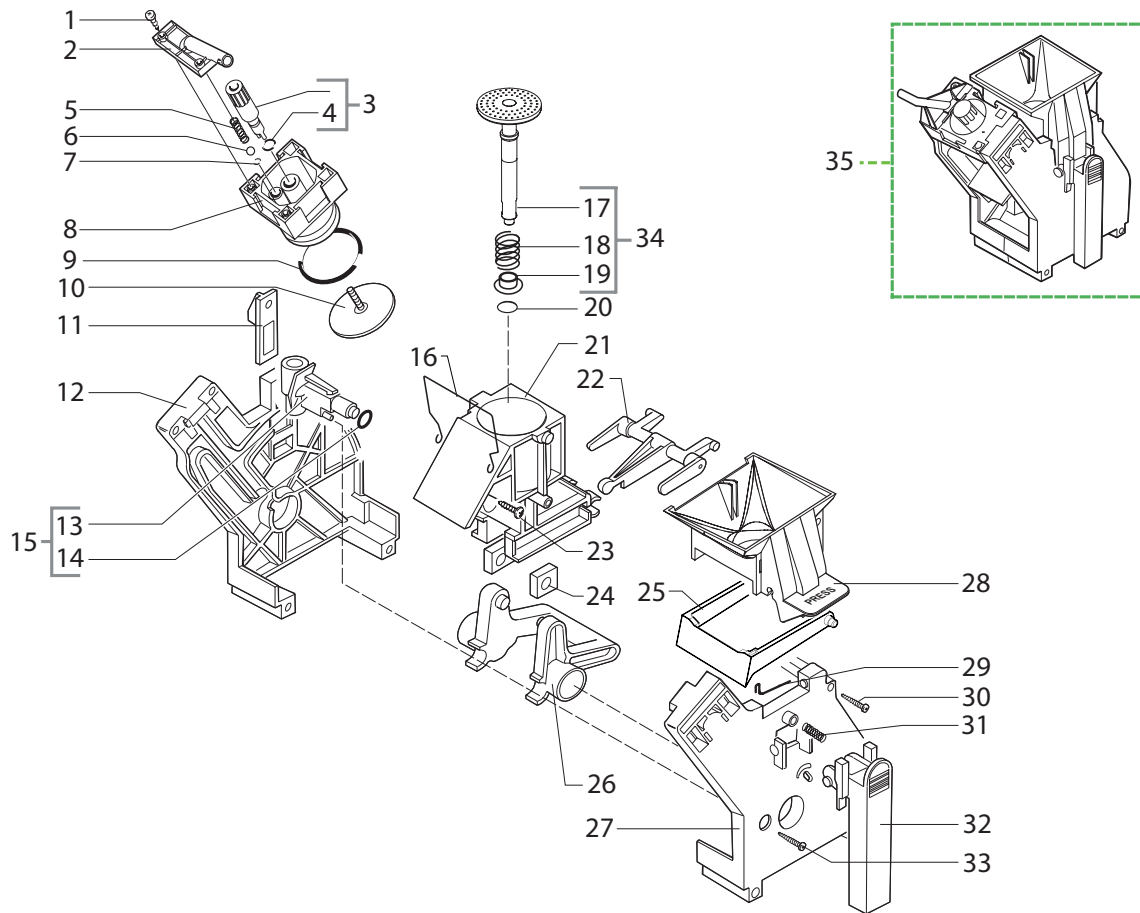
POS	CODE	DESCRIPTION	NOTE
01	9129.A07.00A	COFFEE DOSER COIL ASS.230V UP TO S/N. 20024065687	
02	126764818	SPRING ELECTROM.BEAN DOSER MAGIC	
03	U701.003	SNAP RING 7 UNI 7434	
04	9161.041	DOSER ELECTROMAGNET CORE	
05	9161.074.150	DOSER DOOR GREY	
06	9161.076.150	DOSER DOOR PIN GREY	
07	NE05.017	MICROSWITCH	
08	149185959	BEAN DOSER MICRO SUPORT MAGIC	
09	148700559	COFFEE DOSER DOSE ADJ. SEL. GR MAG	
10	U140.004	PANELVIT TCB 3,0X12 DIN 7505 B GAL	
11	9161.048	SCRAPER ROD	
12	9161.249.150	MOUNTING PLATE ASSEMBL.GREY	
13	NE05.043	MICROSWITCH	
14	9161.202.150	COMPENSATOR FOR GROUNDS MICRO	
15	9161.221	SPRING GROUND.MICROSUPP.COMPENSA	
16	286883858 286883758	GENER.MOT.AS. M5000 (ITALY/V2) GENER.MOTOR AS. M5000 (STD/V2)	230V 230V
17	9141.052	COFFEEGRINDER REINFORCING RING	
18	140328161	OR D=3,85 X 1,90 IN EPDM	
19	NM02.028	OR 2015 EPDM FDA	
20	9991.112	BUSH FOR FAUCET	
21	129670202	PANE. TCB SCREW 3,5X16 TESTA D=8 Z	
22	U207.004	PLAIN WASHER 4,3X16 UNI 6592 GAL	
23	9991.103	ANTIVIBRATION FOR COFFEEGRINDER	
24	129661402	SCREW PANELVIT TCB 3X38 DIN 7505 ZN	
25	9161.207.150	SUPPORT FOR FAUCET MICRO	
26	129660902	PANELVIT TCB SCREW 3,5X12 D.7505 Z	
27	147571850	BLACK LEVER FIXING PLATE + DOSE ADJUSTM.	
28	9161.122.150	DOSE ADJUSTMENT LEVER GREY CLASSIC	
29	9011.144	FORK FOR TUBE D.4	
30	227660103	BRASS PISTON L=20,9 ASSY.	
31	126765317	STEEL SPRING BOIL. PISTON MAG.9011	
32	186723600	MICROSWITCH SAIA X3M502K2KAM92AS	
33	9161.208.150	SUPPORT FOR DOOR MICRO	
34	227720953	STEAM KNOB M5000 MET BLACK S/SCREE	
35	9161.205	STEAM TAP SHAFT	
36	140328561	OR D=4,18 X 1,90 IN TERMOIL	
37	9161.204.G	STEAM FAUCET	
38	126764018	SPRING D=1STEAM TUBE HOLDER JUN.	
39	140324461	OR METRIC 0060-20 IN TERMOIL	

POS	CODE	DESCRIPTION	NOTE
40	0311.023.150	SLEEVE FOR DISPENSER	
41	229380908	CHROMED STEAM TUBE AS.L=125,88 S5000	
42	147430150	PANNARELLO AS. BLACK PLASTIC	
43	148650250	SECTOR GEARGRIND ADJUSTMENT KNOB COMBI	
44	149186150	BLACK UPPER GRINDER SUPPORT MAGIC	
45		PARTICULAR NOT AVAILABLE	SEE PART. N°49
46	142844550	UPPER GRINDER COVER COFFEE GRIND. MAGIC	
47	147470763	INCREASE SCREW PIN COFFEE GRINDER MAGIC	
48	128130102	FLAT WASHER D10XDE16X0,1 DIN988 Z	
49	226473500	KIT TECNA GRINDERS	WITH PART. N°45
50	149188750	CONICAL GRIND. SUPP. + RING MAGIC	
51	140360200	FELT RING 40X34X5	
52	146570950	RING NUT FOR GRINDING ADJUSTMENT MAGIC	
53	128610421	STAIL.STELL AISI 304 SPHERE D=3,2MM	
54	126770117	NEW SPRING SPHERE D=3,2 MOTOR MAGIC	
55	149186350	GRINDER MOTOR SUP.BLACK MAGIC	
56	140230400	SHOCK ABS .CONICAL GRINDER SUPP.MAGIC	
57	283544900	2POLES CONN.AS.COF.GRIN.JP1 33MH CA	230V 230V
58	286851858	MOTOR AS.NEW MAGIC DE LUXE	
59	129511803	SCREW TCB 2,9X6,4 DIN 7981 NICK	
60	129931002	TORX SCREW T10 TCB 3,5X40 SX ZNG	
61	128610521	STAIL.STEEL AISI 304 SPHERE D=5,5MM	
62	126765517	STEEL SPRING SPHERE D=5,5 MOTOR MAGIC	
63	148740450	TOOTHED SLIDE FOR DOSE ADJUST GEAR	
64	11004181	BLACK BREW UNIT NEW M5000 SEE EXPL. COD .E90050 NEXT PAGES NOTE: FOR SINGLE PART. OF THE OLD GROUP COFFEE' GREY SEE EXPL. COD. E90026 NEXT PAGES	
65	289202800	THERMAL PROTECTOR 100°C CAB.145/280	
66	9129.A23.00A	FROM S/N. 20024065688 WHOLE COIL M5000/S5000 230V FROM S/N. 20024065688	

Saeco VIENNA DIGITAL
SUP 018 D

Rev. 08 - 17/01/07

TAVOLA 4/4



Saeco® SUP 018



Cod. 11004181

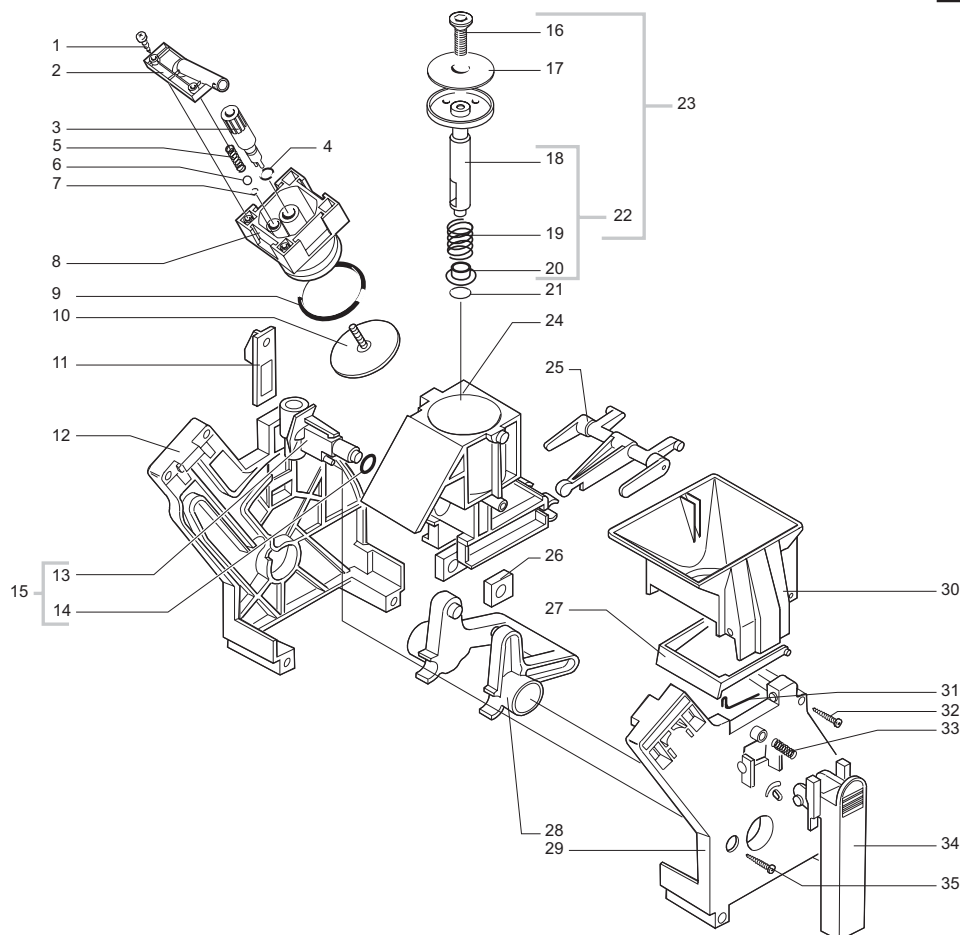
POS	CODICE	DESCRIZIONE	NOTE	POS	CODE	DESCRIPTION	NOTE
01	U140.019	PANELVIT TCB 3,0X16 DIN 7505 B INOX		01	U140.019	PANELVIT TCB 3,0X16 DIN 7505 B SS	
02	11003790	MANICOTTO USCITA CAF.GRUPPO M5000 NERO		02	11003790	BLACK COFFEE OUTLET SLEEVE	
03	227470150	AS.PERNO X DOCCIA COMPLETO NERO		03	227470150	PIN BLACK ASS.FOR PERCOLATOR	
04	NM02.006	OR R5 TERMOIL		04	NM02.006	OR R5 TERMOIL	
05	9161.222	MOLLA CONICA		05	9161.222	CONICAL SPRING	
06	9991.168	SFERA IN VETRO D.5 MM		06	9991.168	GLASS SPHERE D.5MM	
07	NM02.013	OR ORM 0080-15 TERMOIL		07	NM02.013	OR ORM 0080-15 TERMOIL	
08	11003796	CONTROPISTONE X GRUPPO CAFFE' NERO		08	11003796	BLACK COUNTERPISTON FOR COFFEE UNIT	
09	NM01.044	OR ORM 0320-40 SILICONE PTFE/FDA		09	NM01.044	OR ORM 0320-40 SILICONE PTFE/FDA	
10	9160.075	AS.DOCCIA DE=35,8 ELFO CVITE E DADO		10	9160.075	PERCOLATOR DE=35,8 ELFO ASSY.	
11	11004114	PIASTRINA X AGGANCIO GRUPPO CAFFE' NERO		11	11004114	BLACK PLATE FOR UNIT COUPLING	
12	11003792	PIASTRA POSTERIORE GRUPPO CAFFE' NERO		12	11003792	BLACK REAR PLATE FOR UNIT	
13	9161.064.050	MANICOTTO ENTRATA ACQUA NERO		13	9161.064.050	WATER INLET SLEEVE BLACK	
14	NM02.007	OR 2025 IN TERMOIL		14	NM02.007	OR 2025 IN TERMOIL	
15	20000440	GRUPPO RICAMBIO MANICOTTO NERO		15	20000440	BLACK SPARE SLEEVE UNIT	
16	11001556	MOLLA RASATORE H=49 X GRUPPO CAF.SMART		16	11001556	SPRING H=49 FOR COFFEE BREW UNIT SMART	
17	11003077	AS.PISTONE INTEGRALE GRUP.P124 8GR.NERO		17	11003077	BLACK INTEGRAL PISTON UNIT P124 8GR.ASS	
18	9161.198	MOLLA X PISTONE		18	9161.198	SPRING FOR PISTON	
19	9161.191	BOCCOLA X PISTONE NEUTRO		19	9161.191	BUSH FOR PISTON NEUTRAL	
20	NM02.018	OR METRICO 0090-25 IN TERMOIL		20	NM02.018	OR ORM 0090-25 TERMOIL	
21	11003075	AS.CONT.CAF.C/BOCC.SALD.GRUPP124 8G.NER	CON PART. N°20	21	11003075	COFF.CONT.WITH BEAR FOR BREW UNIT P124	WITH PART. N°20
22	11003078	BIELLA X GRUPPO P124 8GR.NERA		22	11003078	BLACK CONNECTING ROD FOR UNIT P124 8GR.	
23	129912521	VITE TCBR 3,5X14 PLAST.INOX		23	129912521	SCREW TCBR TORX 10 3,5X14 PLAST.SS	
24	9161.094.050	BLOCCHETTO FORATO X GRUPPO NERO		24	9161.094.050	DRILLED BLACK BLOCK FOR UNIT	
25	11004161	RASATORE X GRUPPO CAFFE' NERO		25	11004161	BLACK SCRAPER FOR COFFEE UNIT	
26	9161.066.050	ALBERO A GOMITO X GRUPPO NERO		26	9161.066.050	ELBOW SHAFT FOR UNIT BLACK	
27	11003793	PIASTRA ANTERIORE GRUPPO CAFFE' NERO		27	11003793	BLACK FRONT PLATE FOR UNIT	
28	11003795	TRAMOGGIA X GRUPPO CAFF.NERA SER.PRESS		28	11003795	BLACK HOPPER FOR PRESS UNIT	
29	9161.046	MOLLA X RASATORE GRUPPO		29	9161.046	SPRING FOR UNIT SCRAPER	
30	12000897	VITE TCB 3,5X20 PLAST.INOX		30	12000897	SCREW TCB TORX 10 3,5X20 PLAST.SS	
31	9161.045	MOLLA X IMPUGNATURA GRUPPO		31	9161.045	SPRING FOR UNIT HANDGRIP	
32	11003791	IMPUGNATURA X GRUPPO CAFFE' NERA		32	11003791	BLACK HANDGRIP FOR COFFEE UNIT	
33	12000550	VITE TCB 3X25 PLAST.INOX		33	12000550	SCREW TCB TORX 10 3X25 PLAST.SS	
34	11023086	AS.GEN.PISTONE INTEGR.GRUP.CAF.8GR.NER.		34	11023086	BLK 8GR.BREW UNIT NTEGR.PISTON GEN.ASSY.	
35	11004181	GRUPPO CAFFE' M5000 NEW NERO		35	11004181	BLACK BREW UNIT NEW M5000	

Saeco®

GRUPPO CAFFE' M5000 NEW NERO

Rev. 03 - 23/11/09

TAVOLA 1/1



**GRUPPO CAFFE' M5000
X C.A. NON SAECO (CON FORO) GRIGIO**



Cod. 225800559

POS	CODICE	DESCRIZIONE	NOTE	POS	CODE	DESCRIPTION	NOTE
01	U140.019	PANELVIT TCB 3,0X16 DIN 7505 B INOX		001	U140.019	PANELVIT TCB 3,0X16 DIN 7505 B SS	
02	0311.024.150	MANICOTTO USCITA CAF.GRUPPO M5000 GRIGIO		02	0311.024.150	GREY COFFEE OUTLET SLEEVE	
03	227470159	AS.PERNO X DOCCIA COMPLETO GRIGIO		03	227470159	PIN GREY ASS.FOR PERCOLATOR	
04	NM02.006	OR R5 TERMOIL		04	NM02.006	OR R5 TERMOIL	
05	9161.222	MOLLA CONICA		05	9161.222	CONICAL SPRING	
06	9991.168	SFERA IN VETRO D.5 MM		06	9991.168	GLASS SPHERE D.5MM	
07	NM02.013	OR ORM 0080-15 TERMOIL		07	NM02.013	OR ORM 0080-15 TERMOIL	
08	9161.193.150	CONTROPISTONE X GRUPPO CAFFE' GRIGIO		08	9161.193.150	GREY COUNTERPISTON FOR COFFEE UNIT	
09	NM01.044	OR ORM 0320-40 SILICONE PTFE/FDA		09	NM01.044	OR ORM 0320-40 SILICONE PTFE/FDA	
10	223740300	AS.DOCCIA DE=35,8 C/VITE E DADO		10	223740300	PERCOLATOR DE=35,8 ASSY.	
11	147572550	PIASTRINA X AGGANCIO GRUPPO CAFFE' NERO		11	147572550	BLACK PLATE FOR UNIT COFFE.COUPLING	
12	9161.070.150	PIASTRA POSTERIORE GRUPPO CAFFE' GRIGIO		12	9161.070.150	GREY REAR PLATE FOR UNIT	
13	9161.064.150	MANICOTTO ENTRATA ACQUA GRIGIO		13	9161.064.150	WATER INLET SLEEVE GREY	
14	NM02.007	OR 2025 TERMOIL		14	NM02.007	OR 2025 TERMOIL	
15	0301.R04.150	GRUPPO RICAMBIO MANICOTTO GRIGIO		15	0301.R04.150	SPARE SLEEVE UNIT GREY	
16	129852821	VITE TSP M3X14 UNI 7688 INOX		16	129852821	TSP SCREW M3X14 UNI 7688 SS	
17	9161.167	DOCCIA D.35,8		17	9161.167	PERCOLATOR D.35,8	
18	9161.211.050	PISTONE NUOVO NERO CON INSERTO		18	9161.211.050	NEW PISTON WITH INSERT BLACK	
19	9161.198	MOLLA X PISTONE		19	9161.198	SPRING FOR PISTON	
20	9161.191	BOCCOLA X PISTONE NEUTRO		20	9161.191	BUSH FOR PISTON NEUTRAL	
21	NM02.018	OR METRICO 0090-25 IN TERMOIL		21	NM02.018	OR ORM 0090-25 TERMOIL	
22	9161.210.050	PISTONE COMPLETO NERO X GRUPPO		22	9161.210.050	COMPLETE PISTON FOR UNIT GREY	
23	0301.R16.050	GRUPPO RICAMBIO PISTONE NUOVO NERO		23	0301.R16.050	SPARE PISTON UNIT NEW BLACK	
24	9161.195.150	CONTENITORE COMPL.X GRUPPO GRIGIO		24	9161.195.150	COMPLETE CONTAINER FOR UNIT GREY	
25	9161.065.150	BIELLA X GRUPPO GRIGIO		25	9161.065.150	CONNECTING ROD FOR UNIT GREY	
26	9161.094.050	BLOCCETTO FORATO X GRUPPO NERO		26	9161.094.050	DRILLED BLACK BLOCK FOR UNIT	
27	9161.060.150	RASATORE X GRUPPO CAFFE' GRIGIO		27	9161.060.150	GREY SCRAPER FOR COFFEE UNIT	
28	9161.066.150	ALBERO A GOMITO X GRUPPO GRIGIO		28	9161.066.150	ELBOW SHAFT FOR UNIT GREY	
29	9161.071.150	PIASTRA ANTERIORE GRUPPO CAFFE' GRIGIO		29	9161.071.150	GREY FRONT PLATE FOR UNIT	
30	9161.123.150	TRAMOGGIA X GRUPPO CAFF.GRIGIA SER.PRES.		30	9161.123.150	GREY HOPPER FOR PRESS UNIT	
31	9161.046	MOLLA X RASATORE GRUPPO		31	9161.046	SPRING FOR UNIT SCRAPER	
32	U109.026	VITE AUT.TCB 3,5X19 DIN 7981 C INOX		32	U109.026	SS.SCREW AUT.TCB 3,5X19 DIN 7981 C	
33	9161.045	MOLLA X IMPUGNATURA GRUPPO		33	9161.045	SPRING FOR UNIT HANDGRIP	
34	9161.069.150	IMPUGNATURA X GRUPPO CAFFE' GRIGIO		34	9161.069.150	GREY HANDGRIP FOR COFFEE UNIT	
35	U109.027	VITE AUT.TCB 2,9X19 DIN 7981 C INOX		35	U109.027	SS.SCREW AUT.TCB 2,9X19 DIN 7981 C	

**GRUPPO CAFFE' M5000
X C.A. NON SAECO (CON FORO) GRIGIO**

Rev. 03 - 17/01/07

TAVOLA 1/1